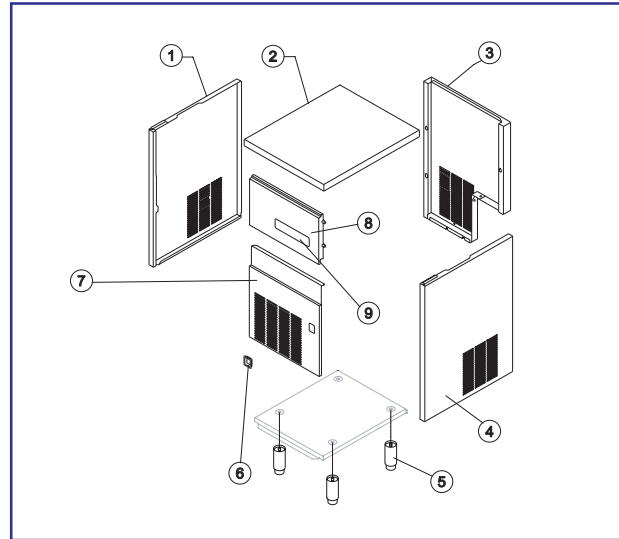


LIST OF THE EXPLODED VIEWS

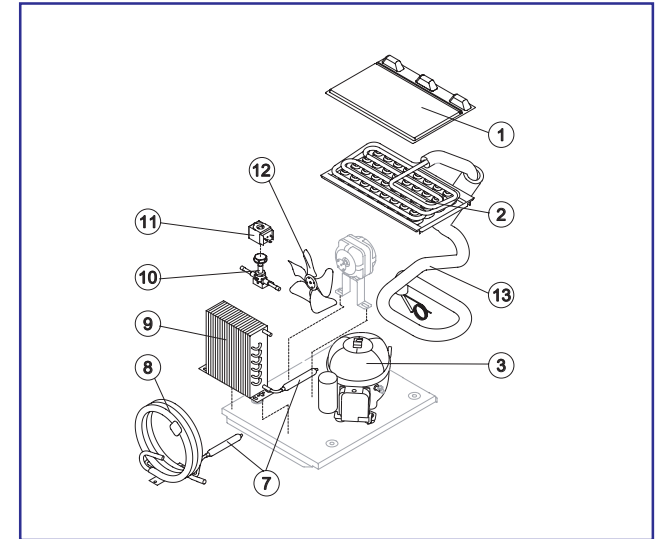
Rev. 3 - 12/03/2019



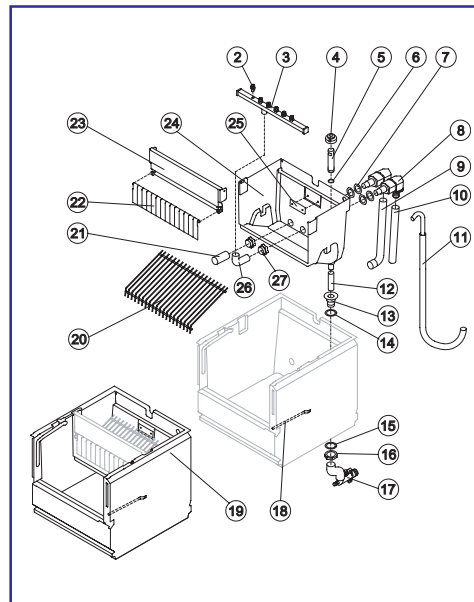
SHELL ASSY



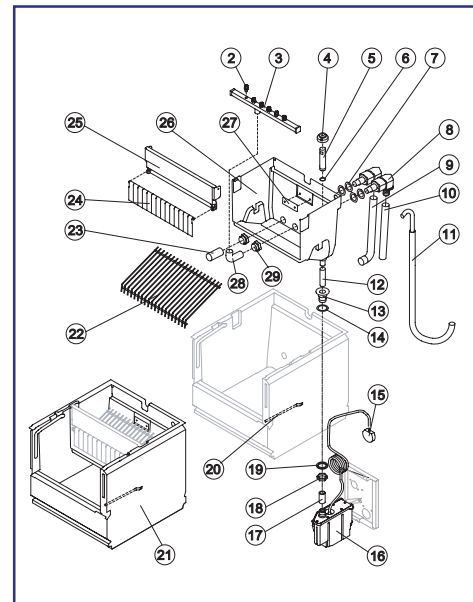
COOLING SYSTEM



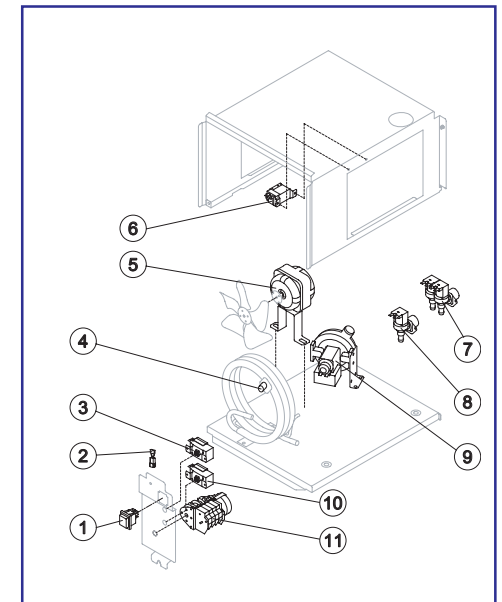
HYDRAULIC CIRCUIT SL110A/W



HYDRAULIC CIRCUIT SL110A DP



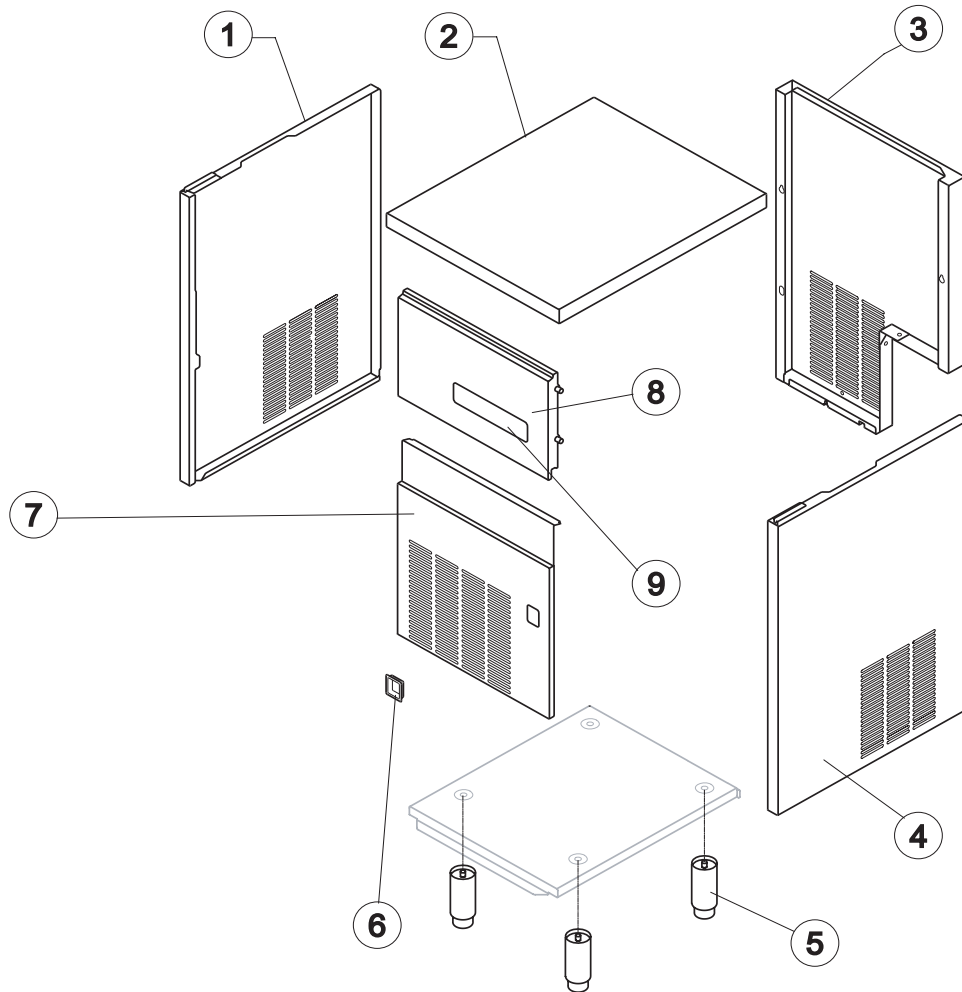
ELECTRIC PARTS



SHELL ASSY

SL 110A / SL 110W / SL 110A DP

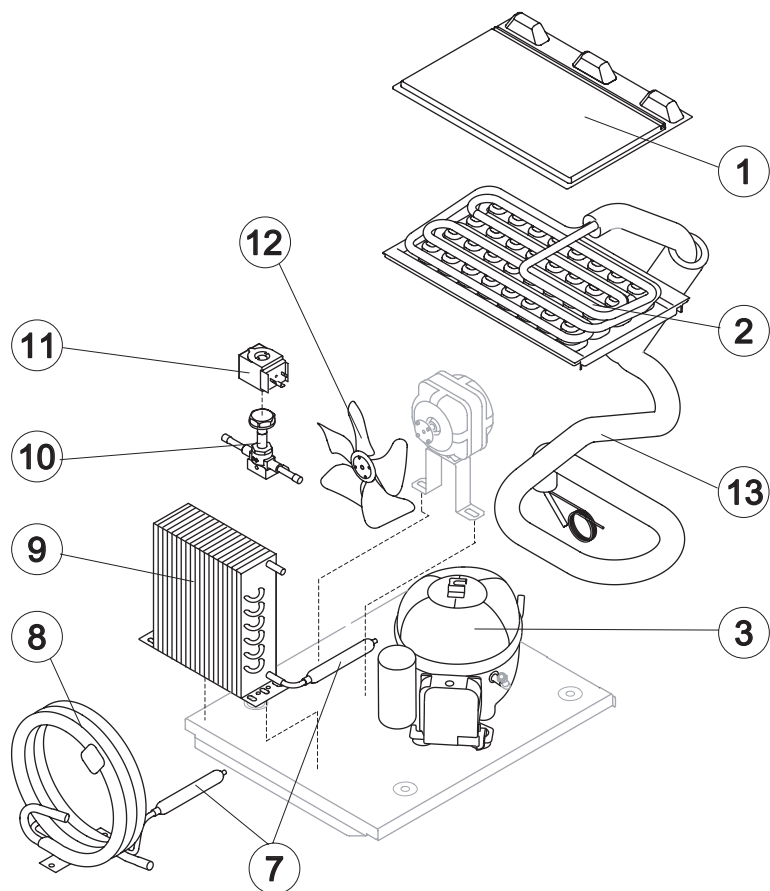
Rev. 3 - 12/03/2019



| Ref. | Spare Description | Code |
|------|----------------------|---------|
| 1 | Left Side Panel | 221419 |
| 2 | Top Assembly | C221428 |
| 3 | Grey Rear Side Panel | C21402 |
| 4 | Right Side Panel | 221420 |
| 5 | Foot | 20613 |
| 6 | On-Off switch Frame | 10696 |
| 7 | Front Panel | C221451 |
| 8 | Door Assembly | C10358 |
| 9 | Resinated Logo | 241330 |

COOLING SYSTEM

SL 110A / SL 110W / SL 110A DP



Common Parts

| Ref. | Spare Description | Code |
|------|------------------------|---|
| 1 | Evaporator Cover Panel | 10513 |
| 2 | Evaporator Assy | See Table |
| 3 | Compressore | See Table |
| 7* | Molecular Drier | 14009 |
| 10* | Hot Gas Valve Body | 20410 |
| 11* | Hot Gas Valve Coil | 231294 |
| 12 | Suction Fan | See Table |
| 13 | Suction Line | for the spare parts code give us the s/n. |

Parts for Air-Cooled Version Only

| Ref. | Spare Description | Code |
|------|-------------------|-------|
| 9 | Air Condenser | 20558 |

Parts for Water-Cooled Version Only

| Ref. | Spare Description | Code |
|------|-------------------|-------|
| 8 | Water Condenser | 14374 |

Ref. 2 - Evaporator

| Kind of Cube | Code |
|------------------|--------|
| 17 g. (Standard) | D10046 |
| 32 g. | D10089 |
| 14 g. | D10417 |
| 41 g. | D10465 |

Ref. 3 - Compressor

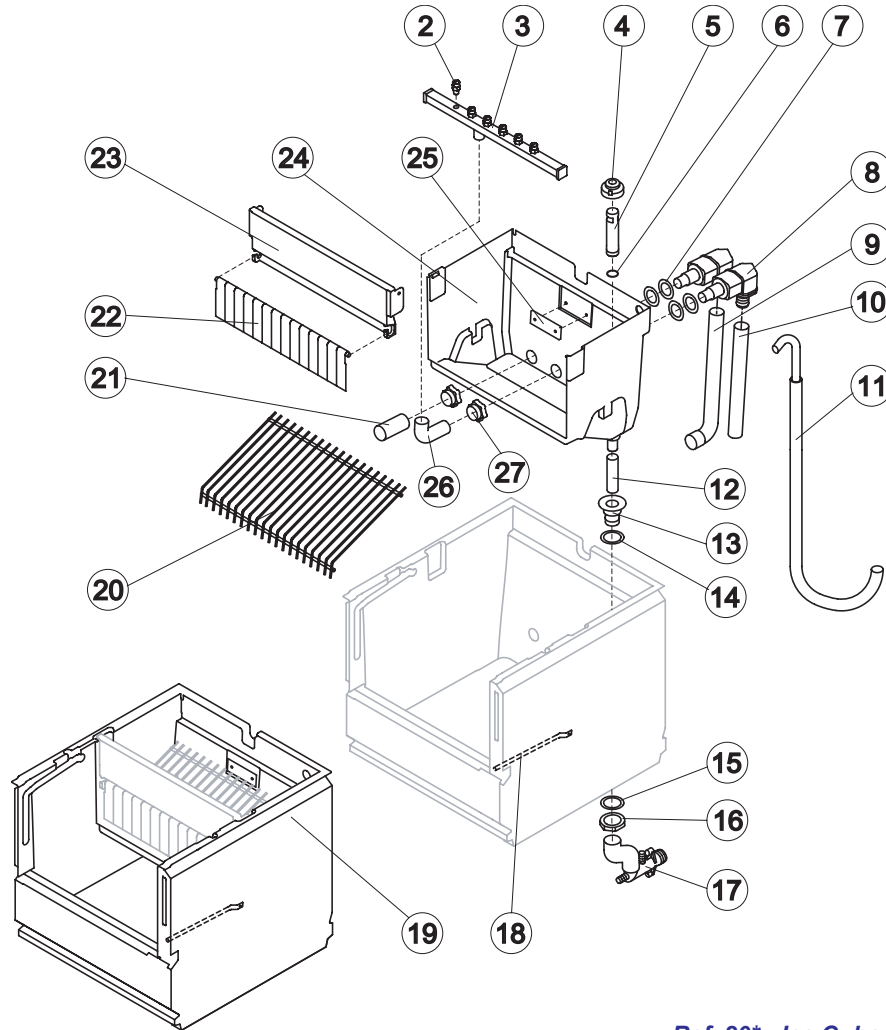
| Voltage | Code |
|----------------|--------|
| 220/240V 50 Hz | 231202 |
| 220/230V 60 Hz | 23495A |

Rif. 12 - Ventola Aspirante

| Voltage | Air | Water |
|----------------|-------|-------|
| 220/240V 50 Hz | 20031 | 10213 |
| 220/230V 60 Hz | 20096 | 10213 |

HYDRAULIC CIRCUIT

SL 110A / SL 110W



Common Parts

| Ref. | Spare Description | Code |
|------|---|-----------|
| 2 | Sprayer | D20002 |
| 3* | Sprayers Bar Assembly | See Table |
| 4* | Overflow Cap | 10305 |
| 5* | Overflow Pipe | 10133 |
| 6* | OR Gasket for Overflow Pipe | 20233 |
| 7 | Gasket for Pump Suction/Delivery Pipes | 13220 |
| 8 | Insulated Pump Suction/Delivery Fitting | C10653 |
| 9 | Insulated Pump Suction Pipe | C13174 |
| 10 | Insulated Pump Delivery Pipe | C13175520 |
| 11* | Water Supply Pipe to the Evaporator | C13186 |
| 12* | Overflow Pipe | 13108 |
| 13 | Water Outlet Nipple | 10472 |
| 14 | Silicone Gasket | 13219 |
| 15 | Semirigid Polyethylene Gasket | 13007 |
| 16 | Bin Discharge Nut | 10096 |
| 18 | Bulbe-holder Pipe | 20522 |
| 19 | Complete Basin Assembly | C11187 |
| 20* | Ice Cubes Slide | See Table |
| 21* | Pump Suction Filter | 20005 |
| 22 | Rod with Flags | 10534 |
| 23 | Flags ABS Support | 10526 |
| 24 | Inner Basin | 10253 |
| 25 | Slide Keep Plate | 10009 |
| 26 | Sprayers Feeding Pipe | 13005 |
| 27 | Fittings Locking Ring | 10654 |

Ref. 20* - Ice Cubes Slide

| Kind of Cube | Code |
|------------------|--------|
| 17 g. (Standard) | D12008 |
| 32 g. | D12030 |
| 14 g. | D12038 |
| 41 g. | D12030 |

Ref. 3* - Sprayers Bar Assembly

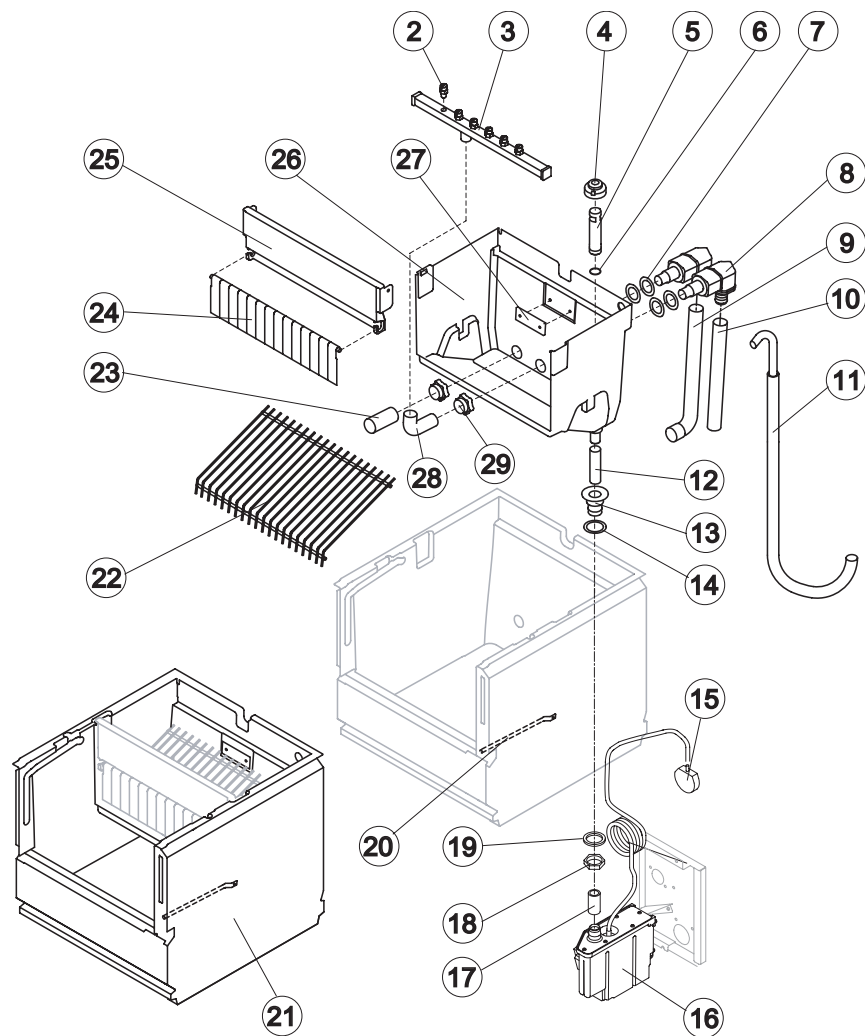
| Kind of Cube | Code |
|------------------|---------|
| 17 g. (Standard) | C201070 |
| 32 g. | C201090 |
| 14 g. | C201072 |
| 41 g. | C201090 |

Parts for Air-Cooled Version Only

| Ref. | Spare Description | Code |
|------|---------------------|--------|
| 17 | Discharges Manifold | C10006 |

Parts for Water-Cooled Version Only

| Ref. | Spare Description | Code |
|------|---------------------|--------|
| 17 | Discharges Manifold | C26452 |



HYDRAULIC CIRCUIT SL 110A DP

| Ref. | Spare Description | Code |
|------|---|-----------|
| 2 | Sprayer | D20002 |
| 3* | Sprayers Bar Assembly | See Table |
| 4* | Overflow Cap | 10305 |
| 5* | Overflow Pipe | 10133 |
| 6* | OR Gasket for Overflow Pipe | 20233 |
| 7 | Gasket for Pump Suction/Delivery Pipes | 13220 |
| 8 | Insulated Pump Suction/Delivery Fitting | C10653 |
| 9 | Insulated Pump Suction Pipe | C13174 |
| 10 | Insulated Pump Delivery Pipe | C13175520 |
| 11* | Water Supply Pipe to the Evaporator | C13186 |
| 12* | Overflow Pipe | 13108 |
| 13 | Water Outlet Nipple | 10472 |
| 14 | Silicone Gasket | 13219 |
| 15 | Drain Pump Pressure Switch | C231230 |
| 16 | Drain Pump | RC231225 |
| 17 | Bin Discharge-Drain Pump Connection | C13175190 |
| 18 | Bin Discharge Nut | 10096 |
| 19 | Semirigid Polyethylene Gasket | 13007 |
| 20 | Bulbe-holder Pipe | 20522 |
| 21 | Complete Basin Assembly | C11187 |
| 22* | Ice Cubes Slide | See Table |
| 23* | Pump Suction Filter | 20005 |
| 24 | Rod with Flags | 10534 |
| 25 | Flags ABS Support | 10526 |
| 26 | Inner Basin | 10253 |
| 27 | Slide Keep Plate | 10009 |
| 28 | Sprayers Feeding Pipe | 13005 |
| 29 | Fittings Locking Ring | 10654 |

Ref. 3* - Sprayers Bar Assembly

| Kind of Cube | Code |
|------------------|---------|
| 17 g. (Standard) | C201070 |
| 14 g. | C201072 |

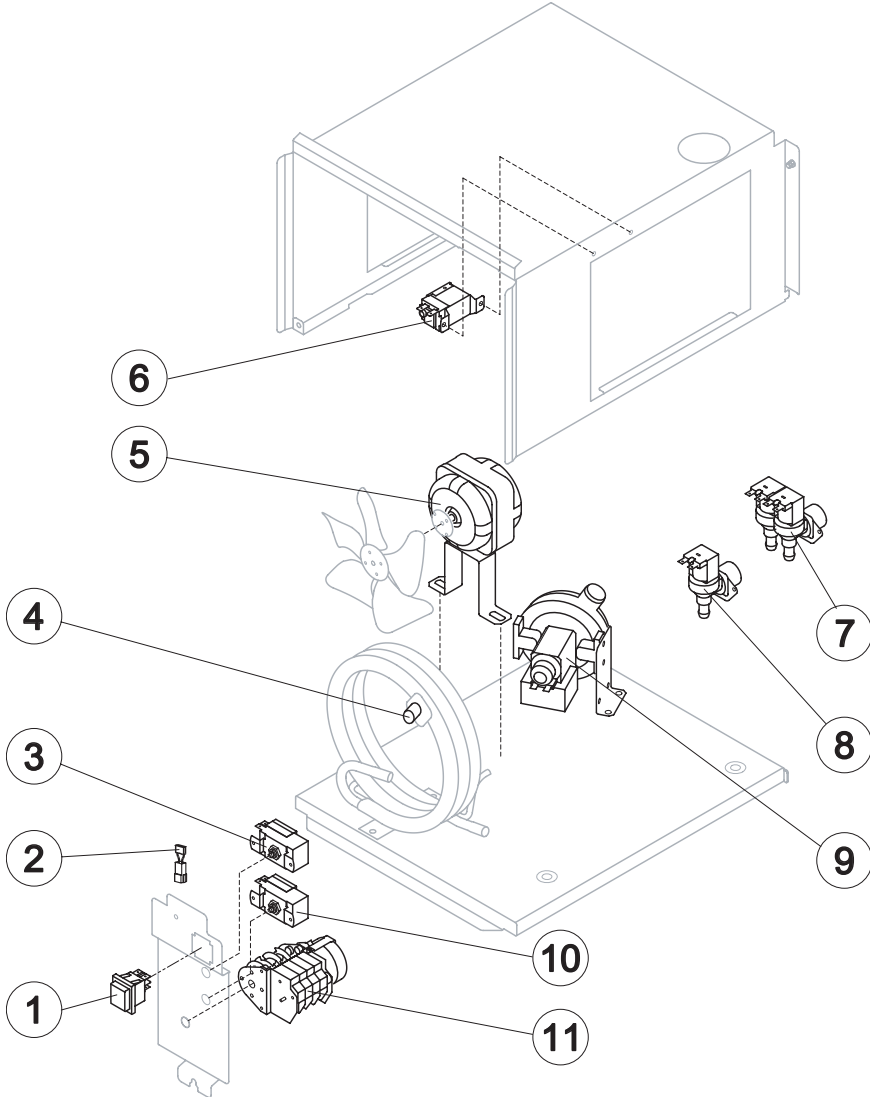
Ref. 20* - Ice Cubes Slide

| Kind of Cube | Code |
|------------------|--------|
| 17 g. (Standard) | D12008 |
| 14 g. | D12038 |

ELECTRIC PARTS

SL 110A / SL 110W / SL 110A DP

Rev. 3 - 12/03/2019



Common Parts

| Ref. | Spare Description | Code |
|------|--------------------------------|---------------------------|
| 1* | Green Light Switch (On-Off) | 23327 |
| 2 | Anti Radio Interference Filter | Only 220V 50 Hz C23458 |
| 3* | Bin Thermostat | R23005 |
| 6* | Condenser Pressure Switch | 23175 |
| 9* | Pump Assembly | See Table |
| 10* | Evaporator Thermostat | R23591 |
| 11* | Timer | See Table |

Parts for Air-Cooled Version Only

| Ref. | Spare Description | Code |
|------|--------------------------|-------|
| 5* | Fan Motor | 23067 |
| 8* | 1 Way- Water Inlet Valve | 23001 |

Parts for Water-Cooled Version Only

| Ref. | Spare Description | Code |
|------|---------------------------|--------|
| 4* | Safety Thermostat | C23114 |
| 5* | Fan Motor | 23029 |
| 7* | 2 Ways- Water Inlet Valve | 23010 |

Ref. 9* - Pump Assembly

| Voltage | Code |
|---------------|---------|
| 220/240V 50Hz | C231016 |
| 220/230V 60Hz | C231046 |

Ref. 11* - Timer

| Voltage | Cube 17g | Cube 32g | Cube 14g |
|----------------|----------|----------|----------|
| 220/240V 50 Hz | 23222 | 23248 | 23247 |
| 220/230V 60 Hz | 231078 | 231080 | 231077 |